



SP5500 Optimus™S

SP5500 OptimusS is a compact batch portable data terminal designed for retail and light warehouse data collection applications, including inventory and stocking.

Put Metrologic's OptimusS right in your pocket and take it wherever data collection needs take you. This stylish batch portable data terminal (PDT) combines powerful features with easy-to-use software to get up and running in no time. The SP5500 enables users to quickly scan and store their product information. After data collection is done, simply drop the unit into its cradle and send the data back to the host to keep information up-to-date and accurate.

Each OptimusS comes with the Optimizer software package to facilitate application development. This graphically-oriented program allows even computer beginners to quickly and easily setup the applications they wish to run on their PDT. There are also several simple utilities for uploading

and downloading of data. The entire software suite is designed to make PDT application development a painless process.

Besides great software, the OptimusS comes with a long list of other features. The SP5500 comes with a 1MB or 2MB option for RAM to accommodate users with larger inventory. Never worry about switching batteries again, either. The rechargeable battery that comes with every OptimusS has a long battery life, allowing approximately 100 hours of scanning before needing to be recharged. The battery is also Lithium Ion, so users don't need to worry about it wearing out any time soon. All these features and the excellent laser bar code scanning you've come to expect from Metrologic products make the SP5500 optimal for all your data collection needs.

www.metrologic.com



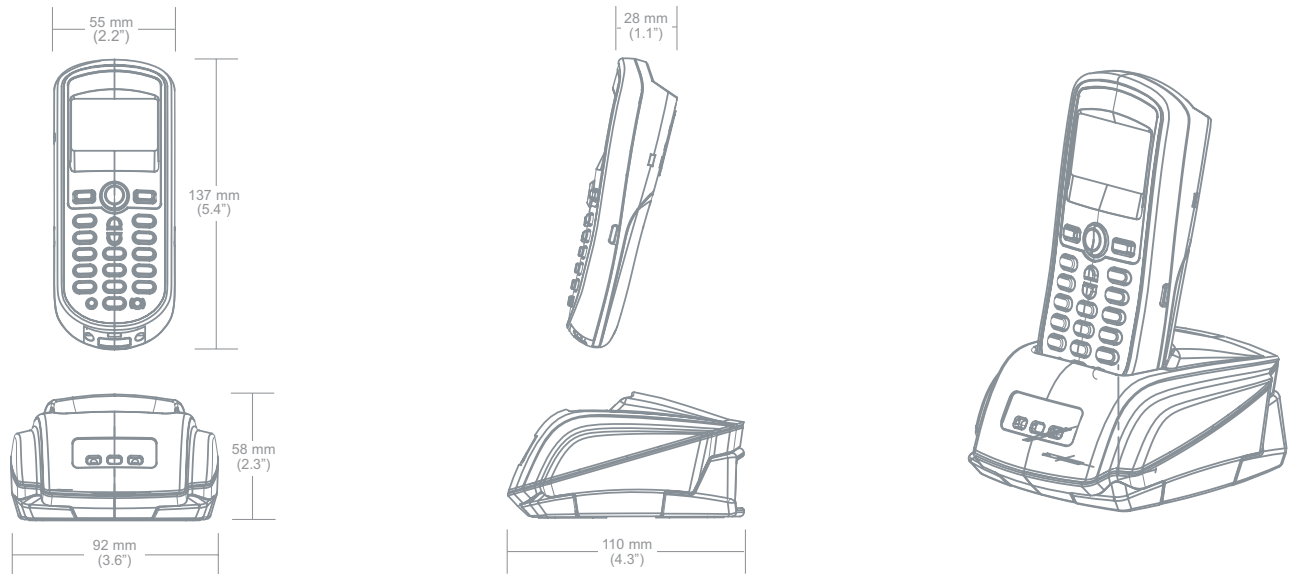
OptimusS fits conveniently in your palm for easy one-handed operation.

FEATURES

- LCD display with backlight and adjustable font
- Small form factor
- Cradle communicates RS232 and USB
- Fully charged battery lasts approximately 100 hours
- Several Programming Options (Optimizer, BASIC, C)

BENEFITS

- Easy to view screen to accommodate different users and environments.
- Same feature set as bulkier units in a lighter, easier to handle package
- One cradle does both, so a simple cable swap gives users quick-change ability
- Minimizes customer down time; speeds up the inventory process
- Accommodates different levels of programming skills from beginner to advanced



OPERATIONAL

System	
CPU	16-bit CMOS, low power consumption
Program Memory	1 MB flash ROM
Data Memory	1 MB SRAM (optional 2MB)
Display	LCD - 100 x 64 pixels, back-lit
Resolution	8 lines x 20 characters (max), 4 lines x 15 characters (min)
Keypad	21 rubber keys; alpha/numeric, function, scanner
Indicators	Buzzer - programmable audible indicator (1 KHz - 4KHz) LED - Dual-color, programmable green and red
Communication (Unit)	IrDA or Cradle IR
Communication (Cradle)	RS232, USB
Application Development	Windows-based Optimizer; optional C & BASIC compilers

MECHANICAL

Weight	140 g (4.9 oz) - including batteries
--------	--------------------------------------

ELECTRICAL

Battery Operation	Li-ion
Battery Backup	3.7V, 700mA hours, rechargeable lithium battery
Operation	Over 100 hours
EMC regulation	FCC Class A, CE and C-Tick approved

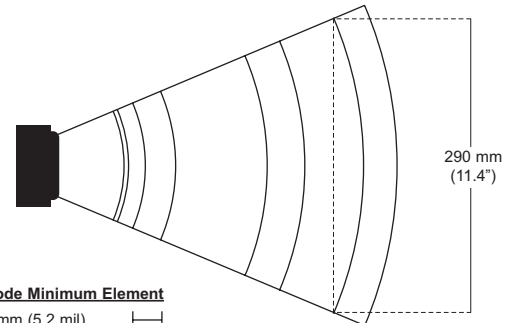
ENVIRONMENTAL

Operating Temperature	-20°C to 55°C (-4°F to 131°F)
Storage Temperature	-30°C to 60°C (-22°F to 140°F)
Humidity	5% to 95% relative humidity, non-condensing
Shock resistance	1.2 m (4') drop onto concrete

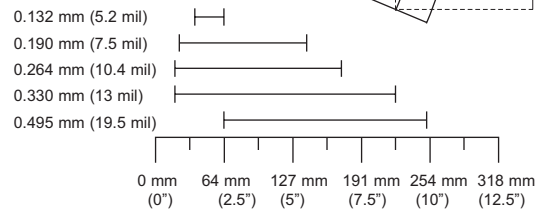
SCAN PERFORMANCE

Laser Scanner	
Visible Laser Diode	650 nm
Minimum Bar Width	0.127 mm (5.0 mil)
Width of Scan Field	290 mm (11.4") @ 222 mm (8.75")
Depth of Scan Field	20 mm - 222 mm (.75" - 8.75") for 0.33 mm (13 mil) bar codes
Scan Speed	100 scan lines per second
Print Contrast	35% minimum reflective difference

Scan Area



Bar Code Minimum Element



Product Colors Available



Optimus is available in a variety of other colors with minimum quantity purchase



Sunrise 2005 Compliant



www.metrologic.com
ISO 9001:2000

Metrologic Instruments, Inc. | **Worldwide Headquarters**
90 Coles Road | Blackwood, NJ 08012-4683 | info@metrologic.com
Telephone 856-228-8100 | Fax 856-228-6673

Asian Headquarters Tel. 65.6842.7155 info@sg.metrologic.com	European Headquarters Tel. 49.89.89019.0 info@eu.metrologic.com	The Americas Headquarters Tel. 1.800.ID.METRO info@us.metrologic.com
--	--	---

Specifications subject to change without notice.
Printed U.S.A., Copyright July 2005
Metrologic, All rights reserved.



SP5500NOAM