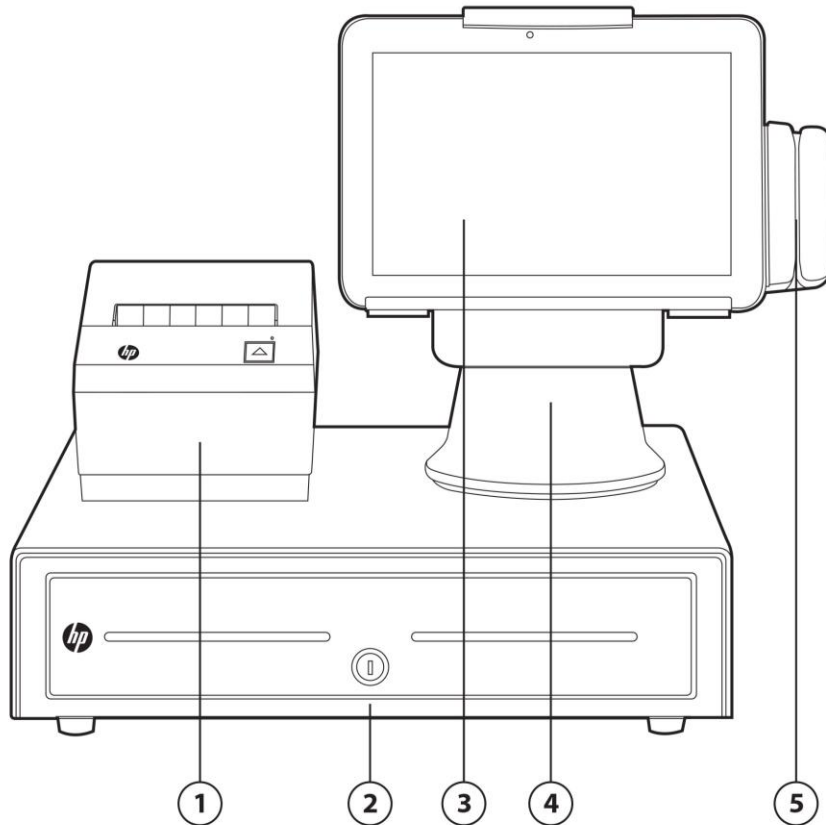


HP TX1 POS Solution Components

HP TX1 POS Solution FRONT VIEW



- | | |
|---------------------------------|----------------------------------|
| 1. HP Thermal Receipt Printer | 4. HP Tablet Point of Sale Stand |
| 2. HP Standard Duty Cash Drawer | 5. HP MSR* |
| 3. HP Pro Tablet 610 G1 | |

*Available in Model 120 only

Models

Model	Includes	SKU number
HP TX1 POS Solution, Model 120	HP Pro Tablet 610 G1, tablet POS stand, HP Standard Duty Cash Drawer, USB Hub, HP Value Thermal Receipt Printer, MSR and Quick Setup Guide	J7K80UA#XXX (U.S. only)
HP TX1 POS Solution, Model 110	HP Pro Tablet 610 G1, tablet POS stand, HP Standard Duty Cash Drawer, USB Hub, HP Value Thermal Receipt Printer and Quick Setup Guide	J7K81UA#XXX J7K81UA#XXX
HP TX1 POS Solution, Model 100	HP Pro Tablet 610 G1, tablet POS stand, HP Standard Duty Cash Drawer, USB Hub and Quick Setup Guide	Coming soon

HP TX1 POS Solution Components

Introduction

The HP TX1 POS Solution is your instant register, right out of the box. You can run your business—from the counter to the back office—with this tablet-based POS hardware solution that's quick to set up, easy to use and supports POS applications and familiar Windows 8.1 productivity-enhancing applications that help you to manage your business efficiently. Included in the box is a 10.1-inch diagonal HP Pro Tablet 610 G1, tablet point of sale stand, cash drawer, USB hub, and other essential POS accessories.

Note: Not all features are available in all editions or versions of Windows. Systems may require upgraded and/or separately purchased hardware, drivers and/or software to take full advantage of Windows functionality. See <http://www.microsoft.com>.

At a Glance

- Make transactions and behind-the-scenes business a breeze with the HP Pro Tablet 610 G1, a Windows 8.1¹ 10.1-inch diagonal tablet PC that's business-ready with a Corning® Gorilla® Glass touchscreen.
 - Windows 8.1¹ support for essential POS applications and familiar productivity-enhancing applications
 - Powered by Intel Quad-Core Atom™ Processor
 - 2GB SDRAM Memory and 32GB eMMC storage
 - Integrated Bluetooth® 4.0 and Wireless LAN 802.11 a/b/g/n²
 - Enhanced protection against virus attacks and other threats with Microsoft® Defender.³
- Easily connect your tablet and up to four point of sale accessories⁴ or other USB devices through the USB hub in a matter of minutes.
- Provides the flexibility to support both customer transactions and administrative tasks. Securely lock the tablet in an upright position in the stand for easy interaction, and swivel it to capture customer information. And because business never stops, the tablet easily detaches from the stand so you can take it home at the end of the day to work on back office and management activities.
- Be confident that all your POS hardware is backed by a brand you trust with world-class service, support and security.

¹ Not all features are available in all editions of Windows 8.1. Systems may require upgraded and/or separately purchased hardware, drivers and/or software to take full advantage of Windows 8.1 functionality. See <http://www.microsoft.com>.

² Wireless access point and Internet service required and not included. Availability of public wireless access points limited.

³ A subset of the TPM 2.0 specification version v0.89 as implemented by Intel Platform Trust Technology (PTT).

⁴ From HP compatible list of accessories.

Service and Support

Flexibility and protection come standard with our award-winning service and support. Enjoy our standard one-year limited warranty on the HP Pro Tablet 610 and three-year limited warranty on HP POS accessories⁵. Additional coverage up to three years for the tablet is available with optional HP Care Pack Services⁶.

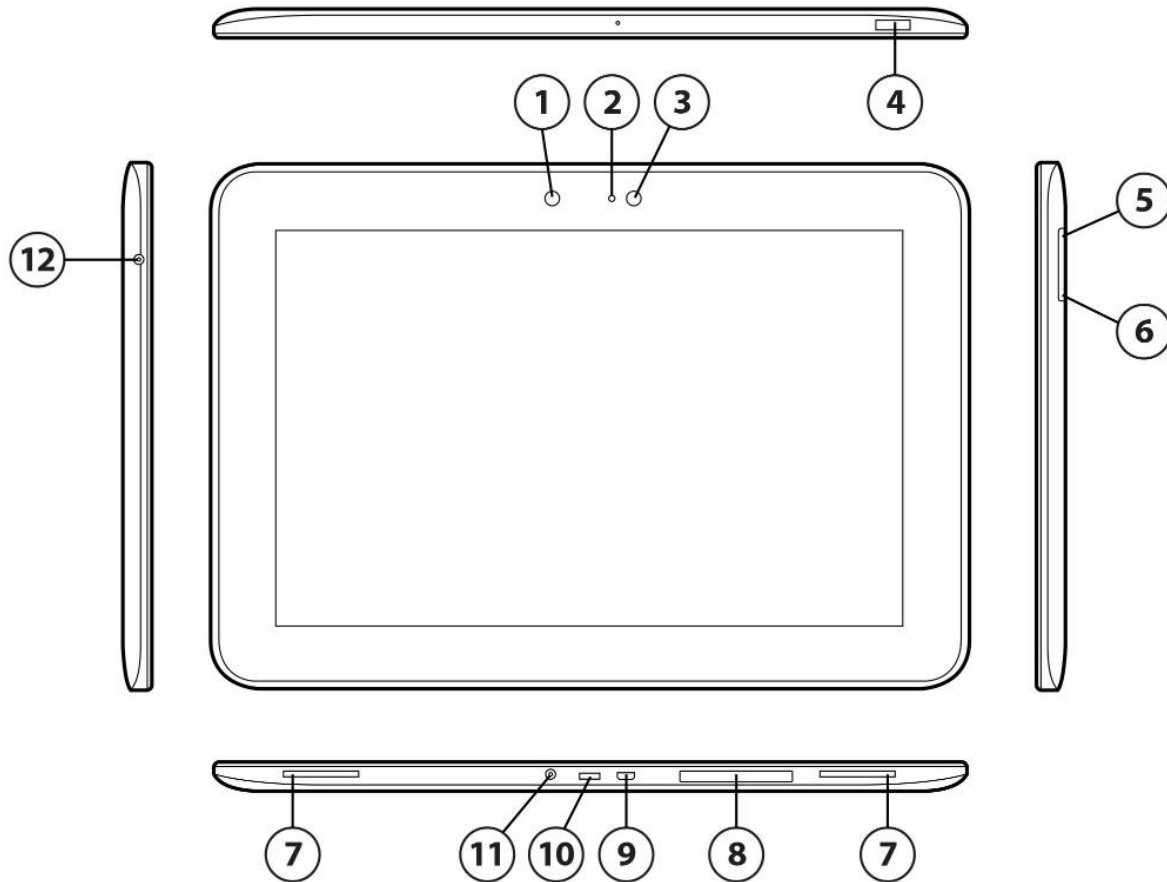
⁵ Limited one-year hardware warranty on HP Pro Tablet 610 G1 in most regions. Optional HP Care Pack Services which extend your protection beyond the standard limited warranties with services such as whole unit replacement and improved onsite response and CTR are available. Limited three-year hardware warranty applies to the tablet stand and other point of sale accessories. For more details visit <http://www.hp.com/go/cpc>.

⁶ Service levels and response times for HP Care Packs may vary depending on your geographic location. Service starts on date of hardware purchase. Restrictions and limitations apply. For details, visit www.hp.com/go/cpc. HP services are governed by the applicable HP terms and conditions of service provided or indicated to Customer at the time of purchase. Customer may have additional statutory rights according to applicable local laws, and such rights are not in any way affected by the HP terms and conditions of service or the HP Limited Warranty provided with your HP Product.

HP TX1 POS Solution Components

HP Pro Tablet 610 G1

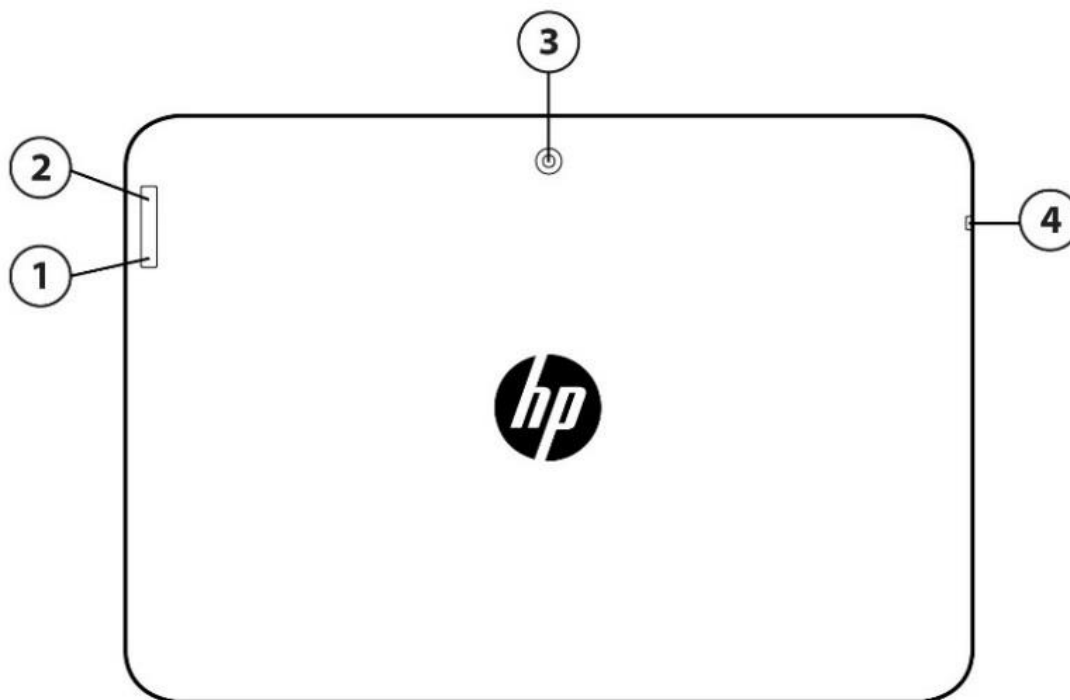
FRONT VIEW



- | | | | |
|----|-------------------------|-----|--|
| 1. | 2MP front-facing camera | 7. | Speakers (x2) |
| 2. | Webcam LED indicator | 8. | Micro SD card slot |
| 3. | Ambient light sensor | 9. | Micro HDMI port |
| 4. | Power button | 10. | Micro USB port |
| 5. | Volume up button | 11. | DC-in jack |
| 6. | Volume down button | 12. | Audio-out (headphone)/Audio-in (microphone) jack |

HP TX1 POS Solution Components

REAR VIEW



1. Volume down button
2. Volume up button

3. 8MP Rear-facing camera with auto-focus
4. Audio-out (headphone)/Audio-in (microphone) jack

HP TX1 POS Solution Components

Product Name

HP Pro Tablet 610 G1

Operating System

Preinstalled Windows 8.1

Processor

Intel Atom™ Z3775 Processor (1.46 GHz base/2.39 GHz burst, quad-core, 2 MB L2 cache) (32-bit)

Display

Type	10.1-inch diagonal WUXGA diagonal capacitive multi-touch display with wide viewing angle (1920 x 1200)*
Touchscreen	Capacitive multi-touch screen
Aspect Ratio	16:10
Auto rotate	Selectable
Screen material	Corning® Gorilla® Glass with anti-smudge
Diagonal Size	10.1 inch
Viewing Angles	≥80°
Refresh Rate	60Hz
Brightness	400 nits (typical)
Color Depth	18-bit color depth with FRC

* Resolutions are dependent upon monitor capability, and resolution and color depth settings

Internal Storage

Internal Storage Device

32GB embedded Multi Media Card (available with 32-bit OS)

MicroSD card slot supporting SDXC and up to 2TB*

*Card sold separately

Memory

Standard

2GB LPDDR3 SDRAM (1067 MHz) (available with 32-bit OS)

Networking/Communications

Wi-Fi*

802.11 a/b/g/n 2x2

Bluetooth®

Bluetooth® 4.0 + LE (Bluetooth® Low Energy)

HP TX1 POS Solution Components

* Wireless access point and Internet service required and not included. Availability of public wireless access points limited.

Audio/Multimedia

Audio

Stereo Speakers
Integrated microphone
HP Premier Sound
3.5mm headphone jack*

Cameras

Front Camera: 2MP, with webcam indicator LED
Rear Camera: 8MP Auto-focus

Sensors

Ambient Light sensor
Accelerometer
e-Compass
Gyro
Hall-effect sensor

Software

HP Software

Getting Started with Win 8
HP Connected Music*
HP Connected Photo**
HP ePrint***
HP Registration
HP Support Assistant

Cloud Storage

SkyDrive (included in Windows 8.1)

*Availability of features varies by country. Streaming services may require a paid subscription. May not be compatible with all music files. Not compatible with DRM tracks. Internet access is required and not included.

**Availability of features varies by country. Snapfish by HP mobile app download and Snapfish membership required. Internet service required and not included.

***Requires an Internet connection to HP web-enabled printer and HP ePrint account registration (for a list of eligible printers, supported documents and image types and other HP ePrint details, see www.hp.com/go/eprintcenter). Mobile devices require Internet connection and email capability. May require wireless access point. Separately purchased data plans or usage fees may apply. Print times and connection speeds may vary.

Power

Power Supply

AC charger-18W (12V/1.5A) nPFC AC adapter with DC plug and localized cable plug support

Primary Battery

8380 mAh lithium-polymer battery Non-Removable
1S2P, 2Cell, 31Wh

Battery Life

Up to 13 hours and 15 minutes*

HP TX1 POS Solution Components

Standby Time

Standby life will vary depending on various factors including battery, Memory, CPU, EC and LAN chip. The maximum capacity of the battery will naturally decrease with time and usage.

Video Playback

Up to 8.5 hours**

Power Conservation

Connected Standby

*Testing conducted by HP consisting of full battery discharge while running a series of productivity scripts against the following applications (which may or may not be included with your particular product): Adobe® AcrobatReader 7.0, Adobe® Illustrator® CS2, Adobe® Photoshop® CS2, Apple®, Quicktime 7.1 Intervideo® WinDVD® 8, Macromedia® Flash 8, Microsoft® Office® 2003 Pro, Microsoft® Project 2003, and Winzip® 10.0. Prior to testing, the system was fully charged, display brightness was set at 60 nits, wireless was turned off, and auto dim, suspend, hibernat and all other programs, utilities, and services not essential to running the computer system or battery life test were disabled. Battery life will vary depending on the product model, configuration, loaded applications, features, use, wireless functionality and power management settings. The maximum capacity of the battery will naturally decrease with time and use.

** Battery testing conducted by HP consisting of full battery discharge while running a 720p HD video playback with the speaker at default volume as the audio output device and video stored on the local embedded Multi Media Card. Prior to testing, the system was fully charged and set to display brightness of 150 nits, Bluetooth off and WLAN off. Battery life will vary depending on the product model, configuration, loaded applications, features, use, wireless functionality and power management settings. The maximum capacity of the battery will naturally decrease with time and usage.

Weight & Dimensions

Weight

652 grams (1.44 lb)*

Dimensions (w x d x h)

259.6 x 9.9 x 181.8 mm (10.2 x 0.4 x 7.2 in)*

* Weight and system dimensions may fluctuate due to configuration and manufacturing variances.

Ports/Slots

Ports

Micro USB 2.0 – One

DC-in jack

Micro-HDMI (type-D connector)*

3.5mm headphone jack – One**

Expansion Slots

MicroSD card slot***

*HDMI cables sold separately

**Headphones are sold separately

***Card Sold separately

Storage and Drives

Internal Storage

HP TX1 POS Solution Components

32 GB embedded Multi Media Card

Drive Weight	Up to 2g
Capacity	32 GB
Height	Up to 16 mm
Width	Up to 12 mm

Interface

Performance

Write

Maximum Sequential Read

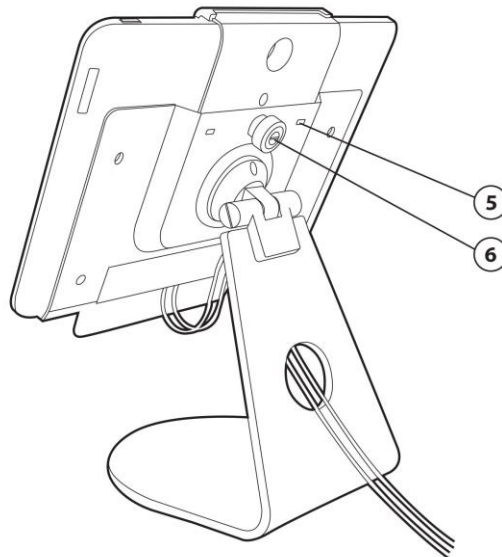
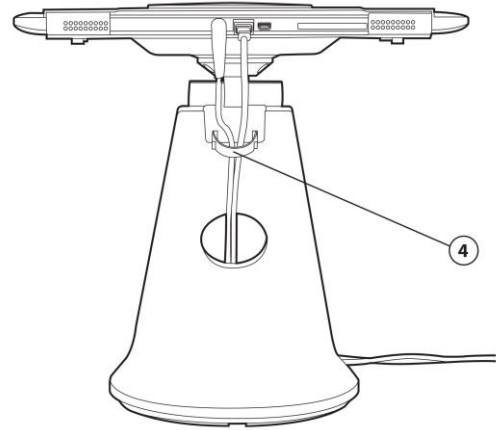
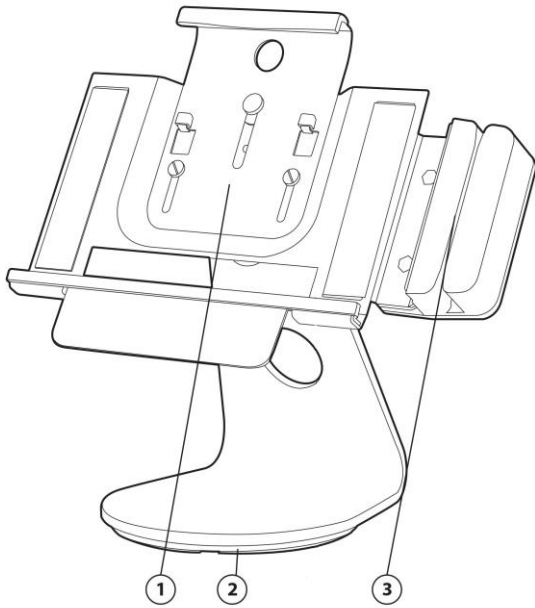
Up to 80 MB/s

Maximum Sequential

Up to 40 MB/s

HP Tablet Point of Sale Stand

HP TX1 POS Solution Components



1. Tablet Cradle
2. Swivel Base
3. MSR

4. Cable Routing Clip
5. Security Slot
6. Tablet Locking Screw

Model

HP Tablet Point of Sale Stand

Key Features and Benefits

HP TX1 POS Solution Components

- Steel frame
- Wide range of tilt (-5° to 165°) for favorable ergonomics and to allow for multiple viewing angles
- Rotates 180° in either direction for easy customer interaction
- Ability to place on top of cash drawer (magnetic base) or on a counter top (leave free-standing or use the two mounting holes on the foot of the stand to mount for more permanent placement)
- Clamp and built-in thumb screw securely holds the tablet in the stand for POS use and allows for tool-less removal of the tablet from the stand
- Slot for Kensington lock for added security (lock optional and not included)
- Enables usage of front and rear cameras on tablet
- Cable clip to route cables through the back of the stand
- Includes bracket for mounting MSR on the left or the right side
- Resists wobble from touch screen usage

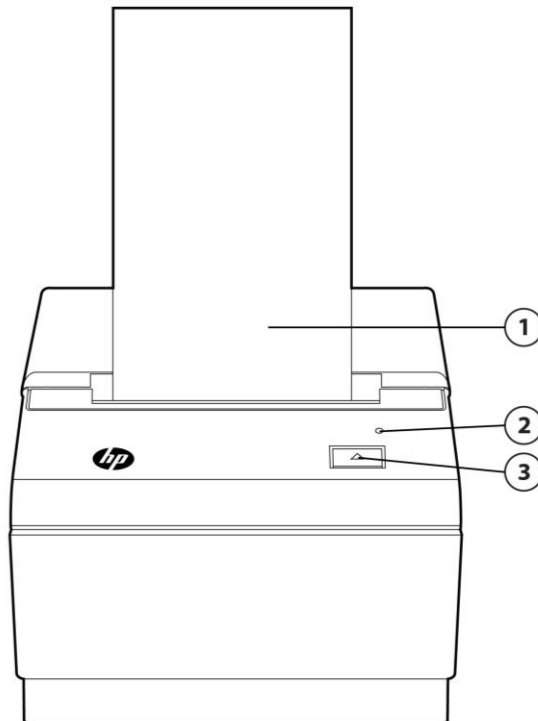
Technical Specifications

General

Product Dimensions (HxWxD)	280 x 220 x 135 mm
Weight	6 lbs.

HP TX1 POS Solution Components

HP Receipt Printer



1. Prints monochrome on receipt paper
2. Printer status LED
3. Paper feed button

Models

HP Value USB Receipt Printer*

F7M66AA

*Included in select models.

Key Benefits

- Easy USB connection with included USB cable.
- Simply connect the printer to the USB hub, add paper, and you're ready to go.
- Add a logo to your receipt or print special offers and coupons with integrated 2 MB Flash memory.
- Place the compact printer where you need it with the assurance that the steel internal frame will withstand the everyday wear and tear of business environments.

HP TX1 POS Solution Components

Technical Specifications

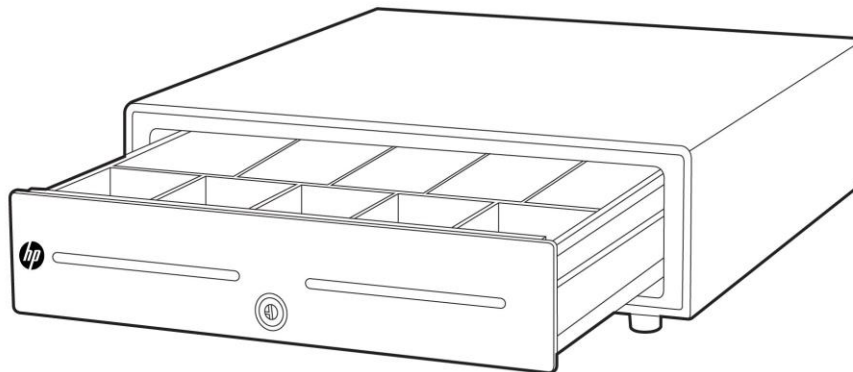
General	Supported Character Sets	Resident Code Pages: 437 (US) 737 (Greek) 850 (Multilingual) 852 (Slavic) 857 (Turkish) 858 (with Eurosymbol) 860 (Portuguese) 862 (Hebrew) 863 (French Canadian) 865 (Nordic) 866 (Cyrillic) 1251 (Cyrillic) 1252 (Windows Latin 1) 1255 (Hebrew) KZ_1048 (Kazakh)
	Print Speed	150mm/sec
	Receipt-Columns	44/56
	Paper Roll Size	3.1" x 3.55" (80 mm x 90 mm)
	Paper Thickness Range	2.0–3.4 mil
	Resolution	203 DPI
	Knife	Self-sharpening ceramic rotary
	Flash Memory	2 MB
	RAM	128 KB
	Cash Drawers	1 connector can drive 2 cash drawers with separately purchased splitter cable (default configuration is connection to 1 cash drawer)
	Bar Codes	UPC-A, UPC-E, JAN8(EAN), JAN13 (EAN), Code 39, Code 93, Interleaved 2 of 5, Codabar, Code 128, EAN 128, GS1 Databar, QR, and PDF-417 two dimensional codes.
	Print method	Direct thermal
	Paper type	Direct thermal POS Grade(s)
Mechanical	Dimensions (WxDxH)	5.65" x 7.27" x 5.27" (144mm x 185mm x 134mm)
	Weight	3 lbs. 4oz (1.47 kg) (printer only) 6 lbs. (2.72 kg) (approximate w/package & accessories)
	Color	HP Carbonite
Interface/Connection	Interface	RS232 (9-Pin Female to 9-Pin Female NULL modem cable) or standard USB 2.0 cable. (Interface cables included) 24 V Cash Drawer support with RJ11 interface
	Power	External power supply 60w Operating Voltage 24 V Full Load Current 2.3 A w/active power management system Idle Current 48mA Idle Power 1.2W Cable Length AC power cord 6 ft., 1.83m, (most models) Serial printer cable 9.8 ft. (3m)

HP TX1 POS Solution Components

Temperature Range	Operating	USB cable 6 ft., (1.83m) 40° to 125° F (5° to 50° C) at 10% to 90% humidity (non-condensing at ambient)
	Non-operating	Transit range: 14°F to 122°F (-10°C to 50°C) 5% to 90% humidity Storage range: -40°F to 140°F (-40°C to 60°C) 5% to 95% humidity
Drivers	Windows native, OPOS, JPOS	
Reliability	MCBF Printlines 60 million MCBF Knife Cuts 2.3 million Printhead Life 242 km)	

HP TX1 POS Solution Components

HP Standard Duty Cash Drawer



Models

HP Standard Duty Cash Drawer

Key Features and Benefits

- Dual media slots provide additional storage beneath the till
- 3-position lock offers businesses the option to operate in locked open, online position or manually
- HP Receipt Printer interface cable for easy connection

Technical Specifications

General

Construction	Metal
Key Lock	Keyed alike
Media Storage	Dual media slots
Till Insert	5 Bill / 5 Coin 4 Bill / 8 Coin (Adjustable coin width) 8 Bill / 8 Coin (Adjustable coin width) <small>* Till availability varies by region</small>

HP TX1 POS Solution Components

Mechanical

Dimensions (LxWxH)	16.2 x 16.3 x 4.3 in (411 x 415 x 110 mm) – with feet
Shipping Weight	21 lbs (9.5 kg) with till
Operating Range	+40°F - +105°F (5°C - +40°C)
Color	Black

Interface/Connection

Cable	RJ45 from drawer to RJ12
Cable Length	RJ45 – 5 ft (1.524 m)

Power

Operating Voltage	24V Solenoid (Solenoid only)
--------------------------	---------------------------------

Drivers

OPOS / JPOS (Windows)

Reliability

1,000,000 opening and closing cycles

Additional Options



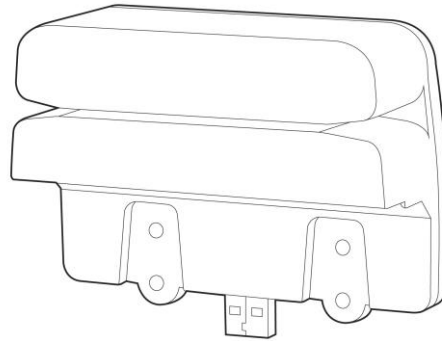
HP Standard Duty Till Insert with lockable lid (Part # QT458AA)



HP Cable Pack for Dual Cash Drawers (Part # QT538AA)

HP TX1 POS Solution Components

HP Magnetic Stripe Reader



Models

HP MSR *

*Included in Model 120 only.

Key Features and Benefits

- Accept credit cards loyalty and gift cards, and enable cashier ID card logins
- USB connectivity for easy integration with included cable
- Audio good read indicators allow users to swipe with confidence of a successful read

Technical Specifications

General	Magnetic stripe formats	ISO 7811, AAMVA
	Card thickness	0.015 to 0.045 in (0.38 to 1.14 mm)
	Indicators	Audio
Mechanical	Dimensions (LxWxH)	3.94in x 3.06in x 1.34in (99.98mm x 77.8mm x 34mm)
	Weight	4.06 oz (115g)
	Slot width	0.45 in (0.114 cm)
	Color	HP Black
Interface/ Connection	Interface	USB 2.0
	Connection	Type A
Power	Voltage (typical)	5.0V +/- 5% supplied by USB, 50mV ripple max
	Current consumption (typical)	40mA max
Drivers		Windows Native, OPOS, JPOS

4-port USB 2.0 Hub

Introduction

HP TX1 POS Solution Components

Connect your tablet and up to four point of sale accessories or other USB devices through the USB hub.

Key Features and Benefits

- Turns a single USB port into 4 USB 2.0 ports
- Installs with Plug-and-Play ease

© Copyright 2014 Hewlett-Packard Development Company, L.P. The information contained herein is subject to change without notice. The only warranties for HP products and services are set forth in the express warranty statements accompanying such products and services. Nothing herein should be construed as constituting an additional warranty. HP shall not be liable for technical or editorial errors or omissions contained herein. Microsoft, Windows, Windows XP, Windows Vista and Windows 7 are trademarks of the Microsoft group of companies.

Summary of Changes

Summary of Changes

Date of change:	Version History:		Description of change:
June 4, 2014	June 4, 2014	Changed	Styles
		Added	IDPubNumber
		Removed	
July 2, 2014	v2	Changed	Features and Specs
		Added	
		Removed	